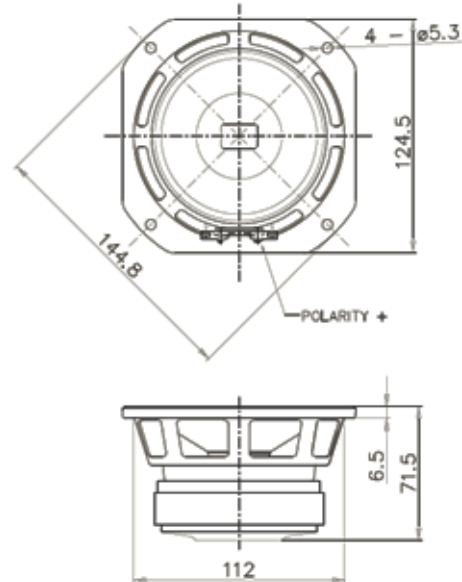




5FE120 Fe Series



NOMINAL SPECIFICATIONS

| | |
|-------------------------------|-----------------------------|
| Nominal Diameter | 130 mm (5 in) |
| Overall Diameter | 144.8/124.5 mm (5.7/4.9 in) |
| Bolt Circle Diameter | 133 mm (5.24 in) |
| Baffle Cutout Diameter | 112 mm (4.4 in) |
| Depth | 65 mm (2.56 in) |
| Flange and Gasket Thickness | 6.5 mm (0.25 in) |
| Net Weight | 1.2 Kg (2.64 lb) |
| Shipping Box | 393x362x118 mm |
| (Single Carton Box - 4 units) | (15.47x14.25x4.64 in) |
| Shipping Weight (4 units) | 4.4 Kg (9.7 lb) |

ELECTRICAL SPECIFICATION

| | |
|---------------------------|-------------------|
| Minimum Impedance | 6.2 Ohm |
| Nominal Impedance | 8 Ohm |
| Nominal Power Handling * | 80 W |
| Maximum Power Handling ** | 160 W |
| Sensitivity (1W/1m) | 89 dB |
| Frequency Range | 75-6300 Hz |
| Voice Coil Diameter | 32 mm (1.26 in) |
| Winding Material | Cu |
| Former Material | Kapton |
| Winding Depth | 12.5 mm (0.49 in) |
| Magnetic Gap Depth | 6 mm (0.24 in) |
| Flux Density | 1 T |

THIELE & SMALL PARAMETERS

| | |
|--------------|--|
| Fs | 75 Hz |
| Re | 5.4 Ohm |
| Bl | 7 N/A |
| Mms | 10.1 g |
| Cms | 0.46 mm/N |
| Rms | 0.56 Kg/s |
| Qes | 0.52 |
| Qms | 8.33 |
| Qts | 0.49 |
| Vas | 3.6 dm ³ (1.3 ft ³) |
| Sd | 74.9 cm ² (11.6 in ²) |
| Xmax *** | 5.25 mm |
| Xdamage **** | 9.5 mm |
| Le | 0.41 mH |
| Mmd | 9.7 g |
| Eta Zero | 0.27 % |

ORDERING CODES

| | |
|----------------------------------|-----|
| Faston Terminals - 8 Ohm Version | TBA |
|----------------------------------|-----|

NOTES

Packaged and sold in multiples of 4 units

(*) 2 Hours Test According to AES 2-1984 Rev. 2003

(**) Maximum power is defined as 3dB greater than nominal power.

(***) $X_{max} = [(winding\ depth - magnetic\ gap\ depth) / 2] + (magnetic\ gap\ depth / 3)$

(****) Maximum excursion before permanent damage

CURVES

